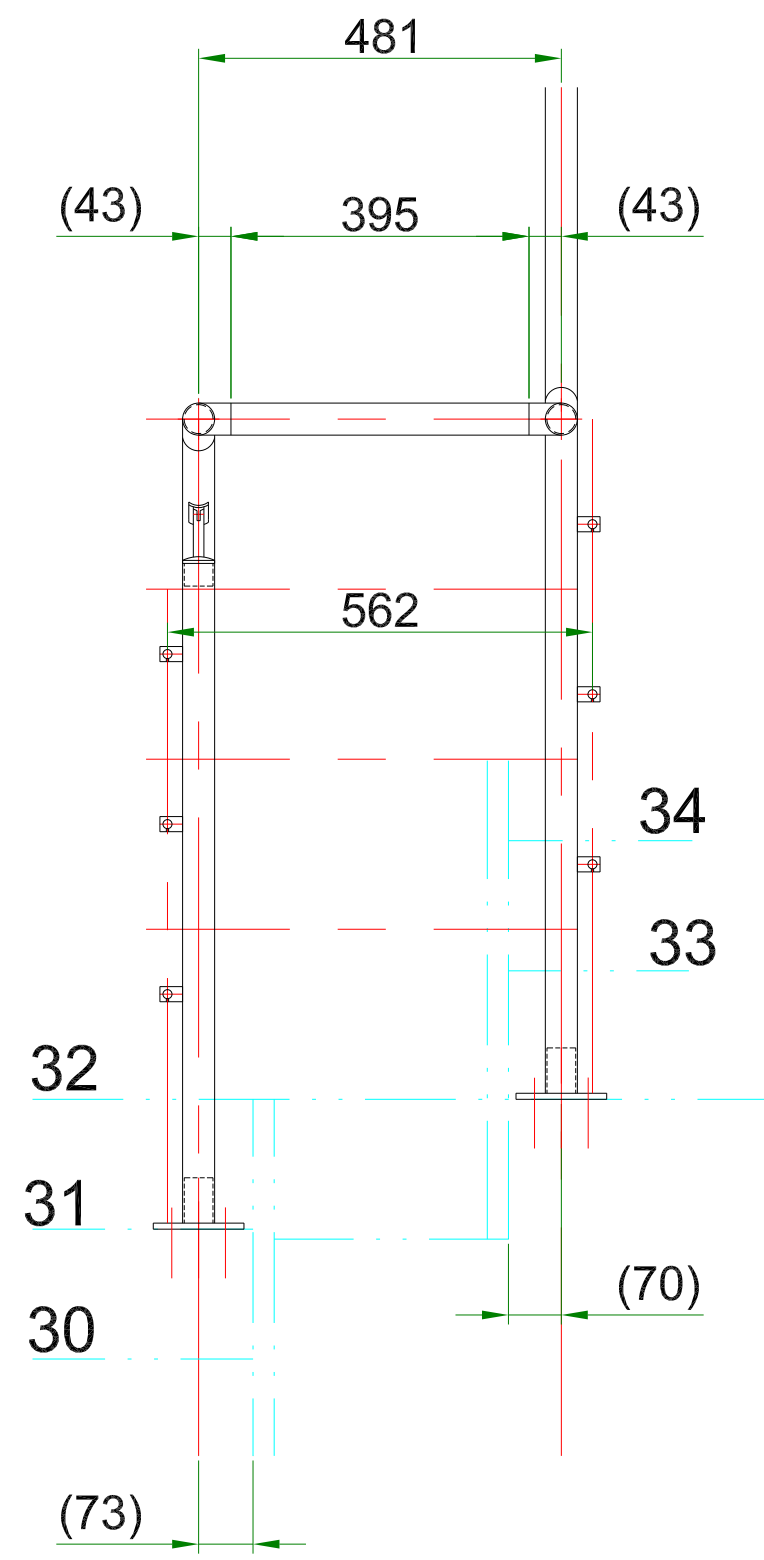
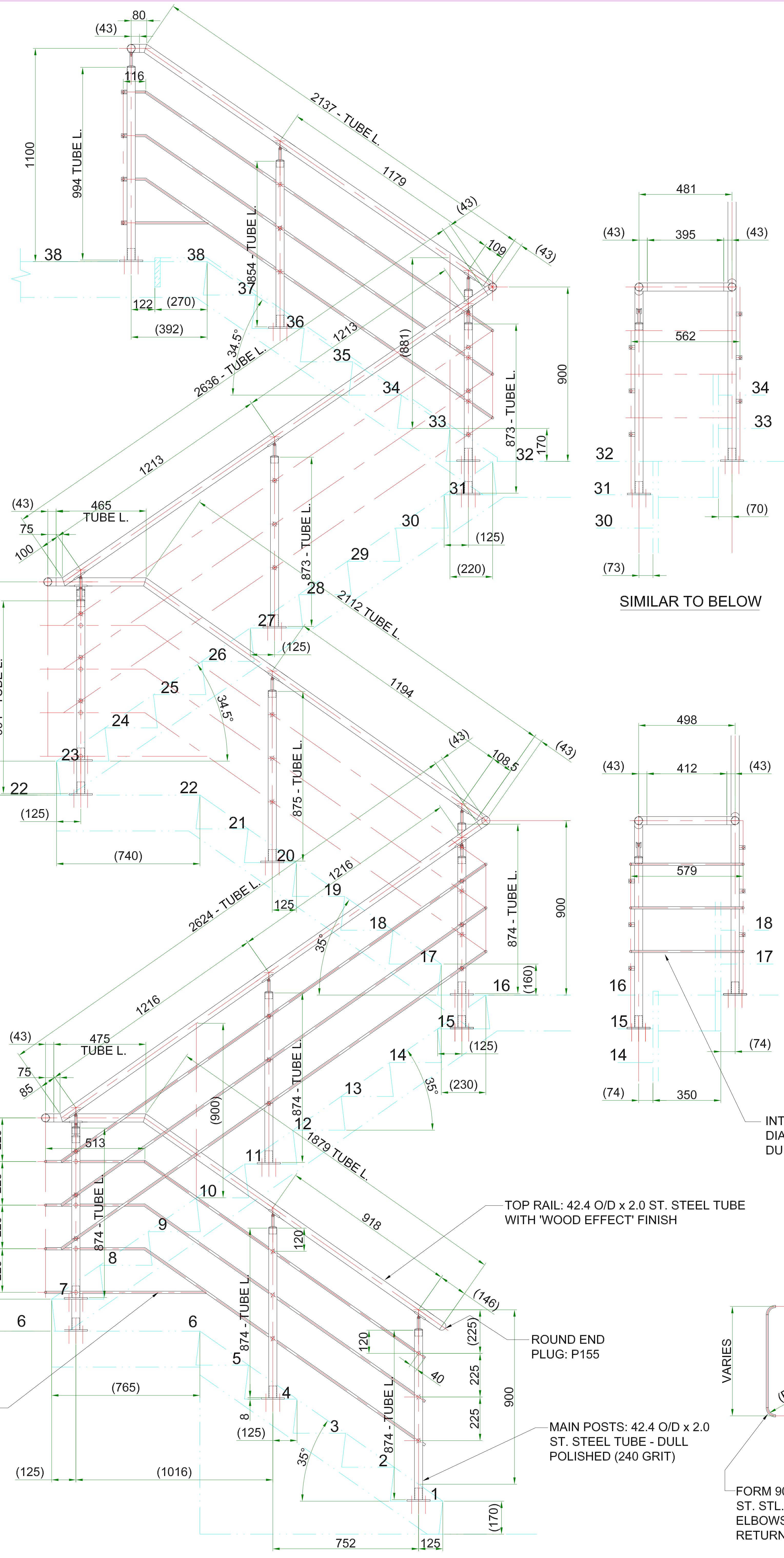
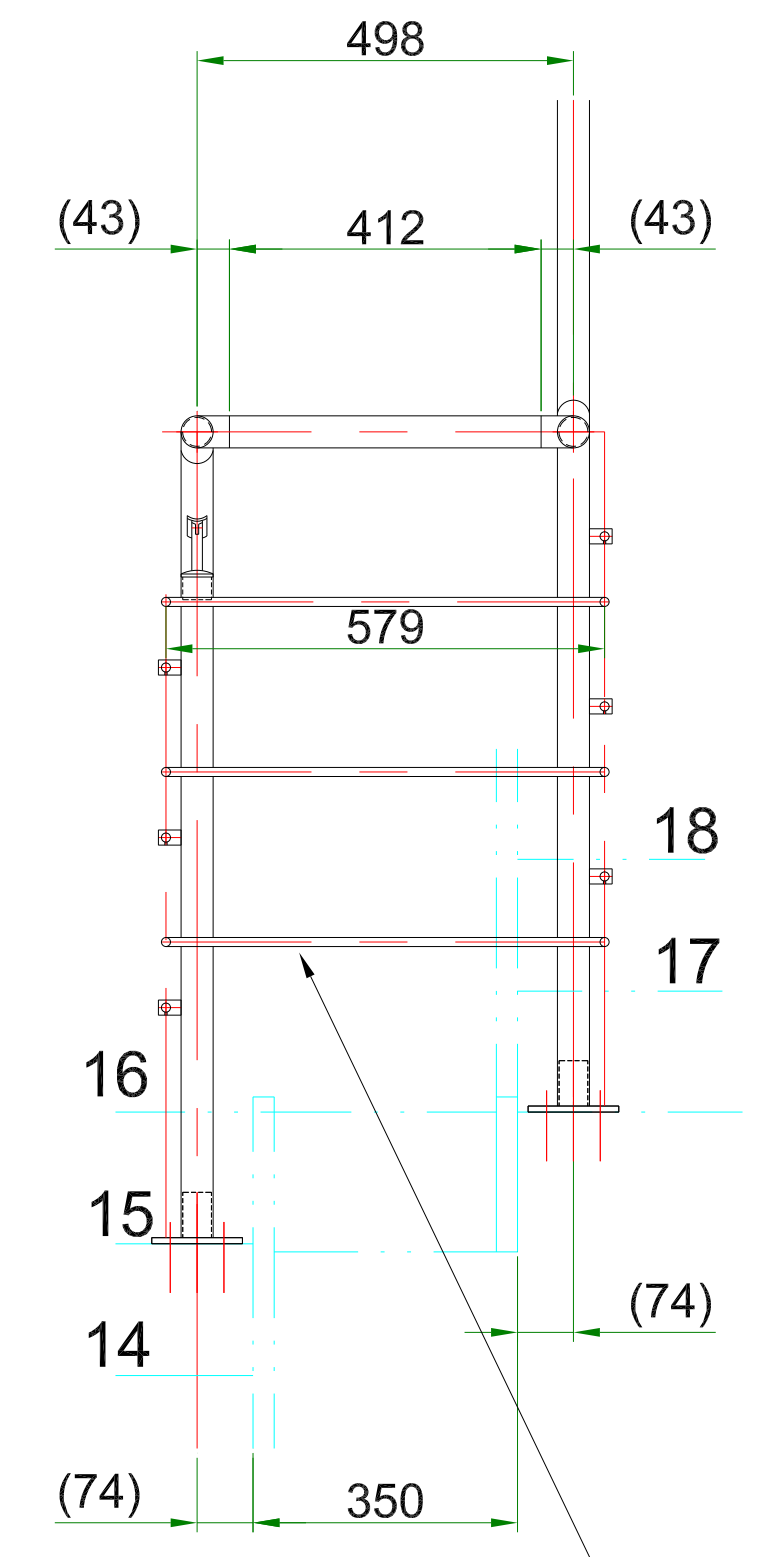


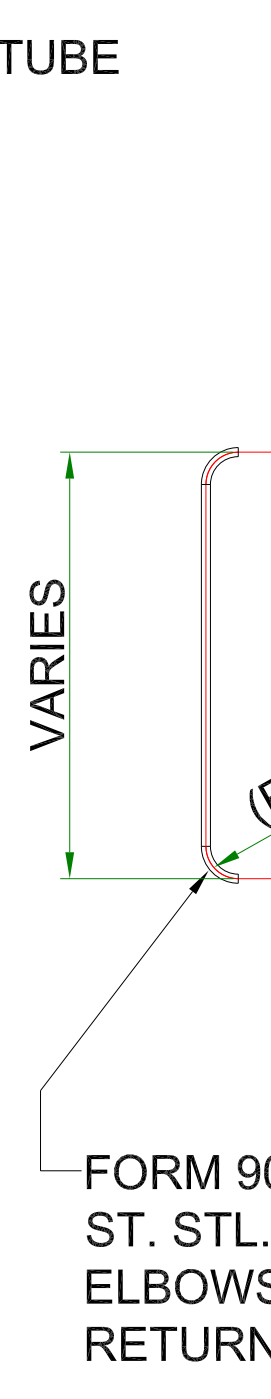
PROVIDE LOW '4TH LEVEL' RAIL AT 1100 HIGH LANDING RETURNS FROM 12 Dia ST. STL. BAR - TYP 3 LEVELS



SIMILAR TO BELOW



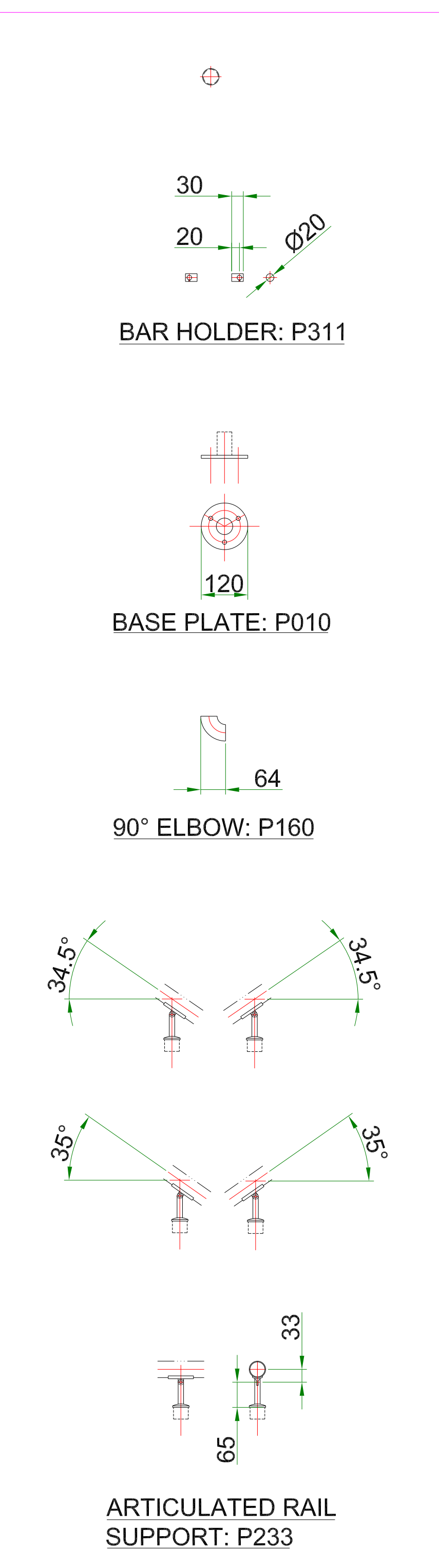
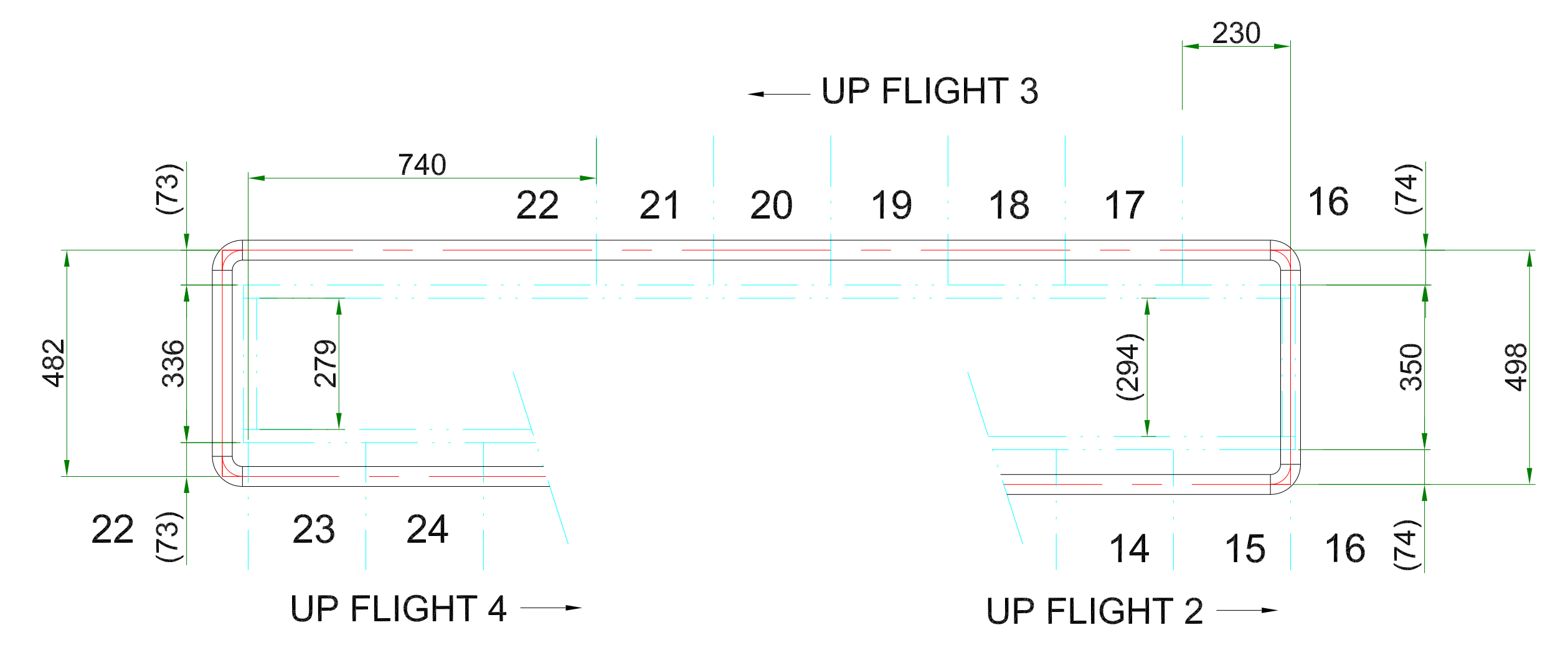
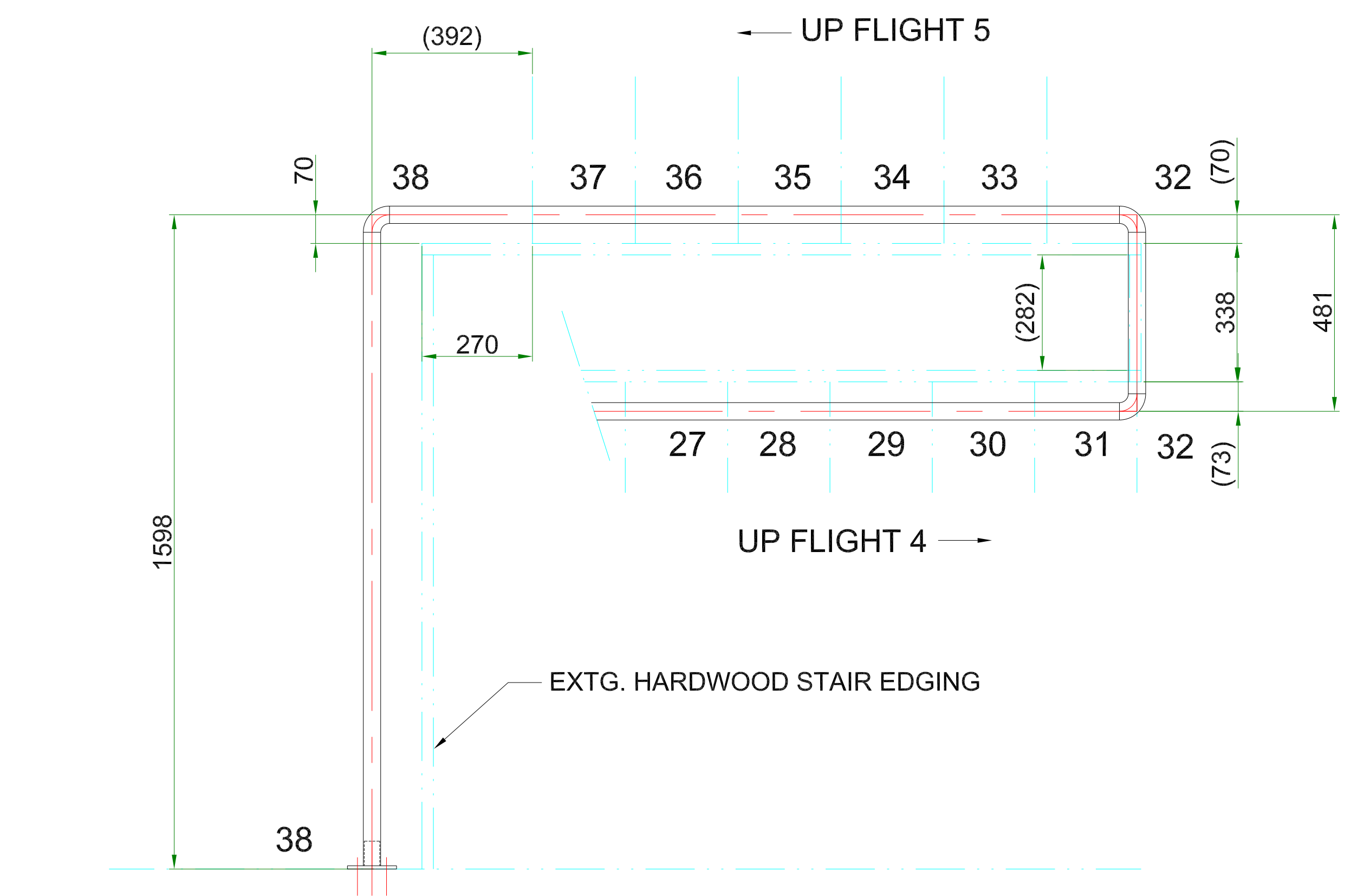
INTERMEDIATE RAILS: 12 DIA ST. STEEL ROUND BAR DULL POLISHED FINISH



FORM 90° BENDS TO 12 Dia ST. STL. BAR TO C/L RAD AS ELBOWS - TYP ALL LANDING RETURNS

- NOTES:
 1) ALL BALUSTRADE COMPONENT REFERENCES ARE AS PER SWR CATALOGUE
 2) FOR WALL HANDRAILS SEE DRAWING J9951 - Sk 01

SWR FITTINGS		
TYPE		QTY.
ARTICULATED RAIL SUPP: P233		17 No
90° BEND (ELBOW): P160		9 No
BAR HOLDER: P311		60 No
ROUND END PLUG: P155		1 No
BASE PLATE: P010		18 No



TOP RAIL: 42.4 O/D x 2.0 ST. STEEL TUBE WITH 'WOOD EFFECT' FINISH

ROUND END PLUG: P155

MAIN POSTS: 42.4 O/D x 2.0 ST. STEEL TUBE - DULL POLISHED (240 GRIT)

Rev	MC	Date	Amendments	Scale	Date	Sig
		JAN 10		1 : 10		

Client: SWR Ltd.
 Project: 267 - 269 HIGH STREET BERKHAMSTED
 Drawing Title: ARRANGEMENT & DETAILS OF STAIRCASE BALUSTRADE
 Drawing No: J9951 - 101

SIMCROSS WELDING SERVICES LTD.
 THE MAINTENANCE DEPOT, FURTHERFIELD, OFF SOUTH WAY
 ABBOTTS LANGLEY HERTS. WD5 0PL
 Tel: 01923 264415 Fax: 01923 267536