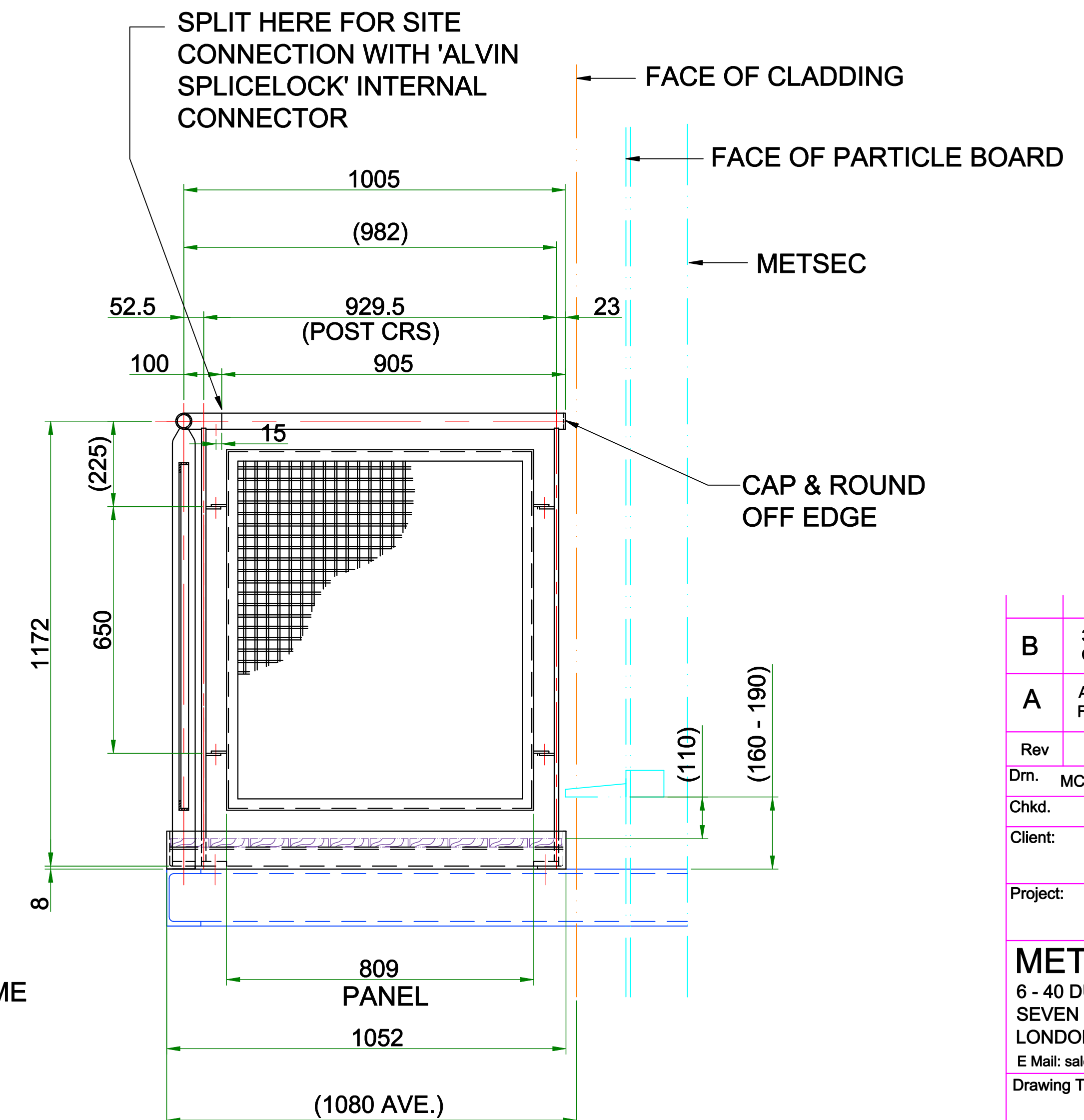
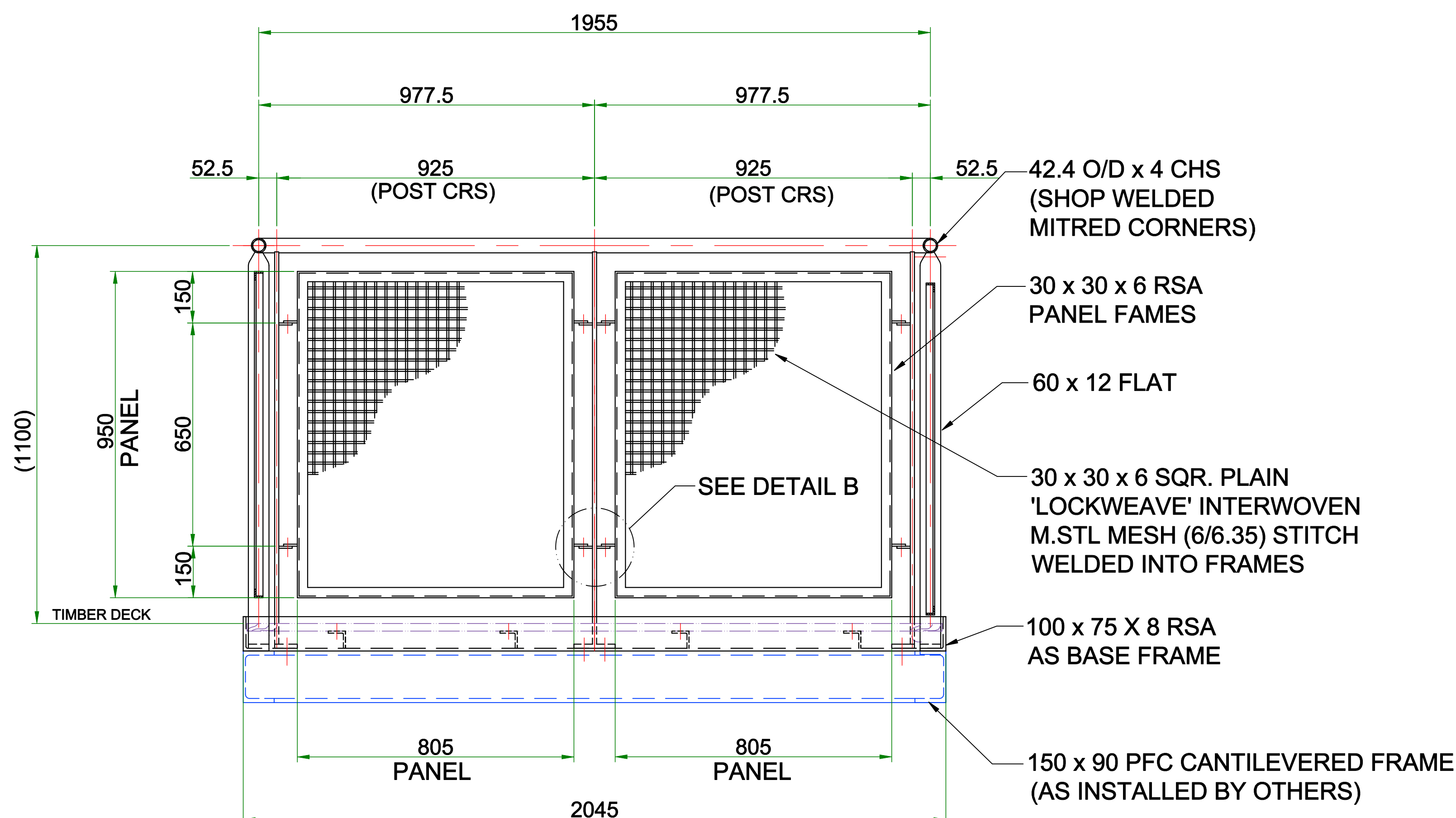
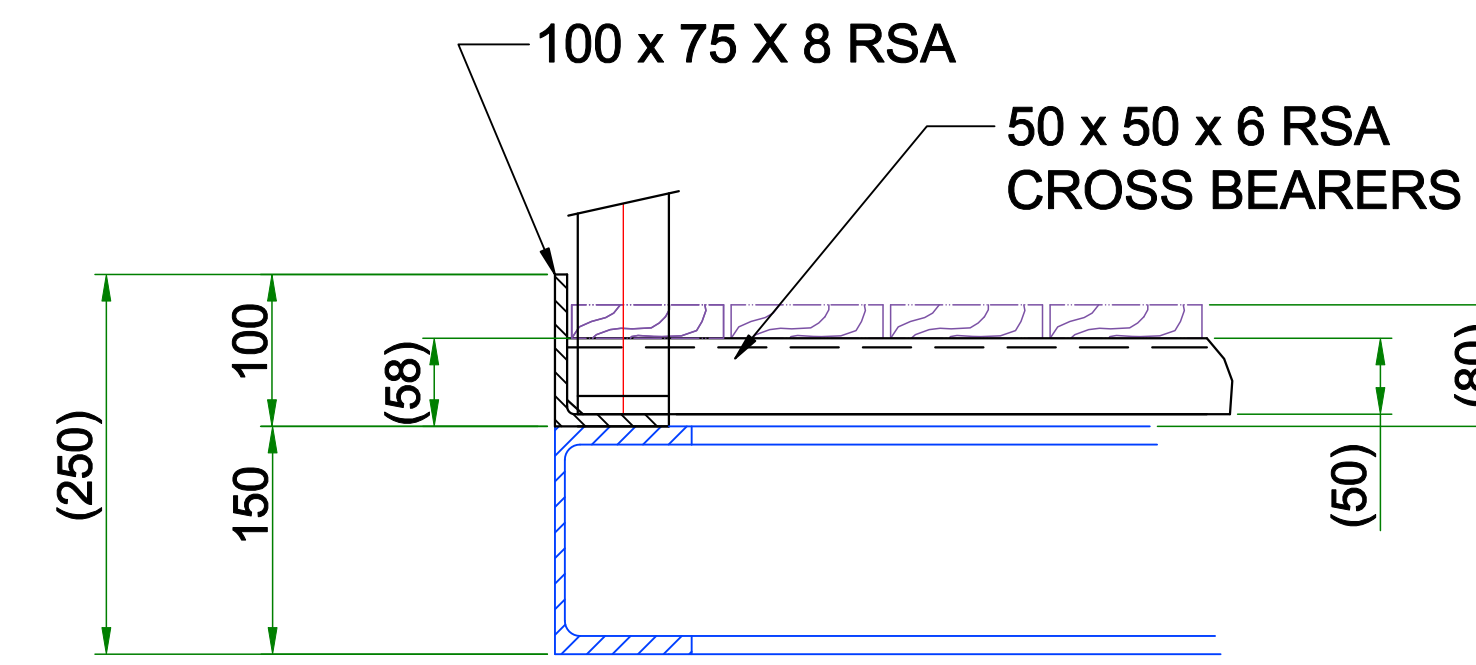
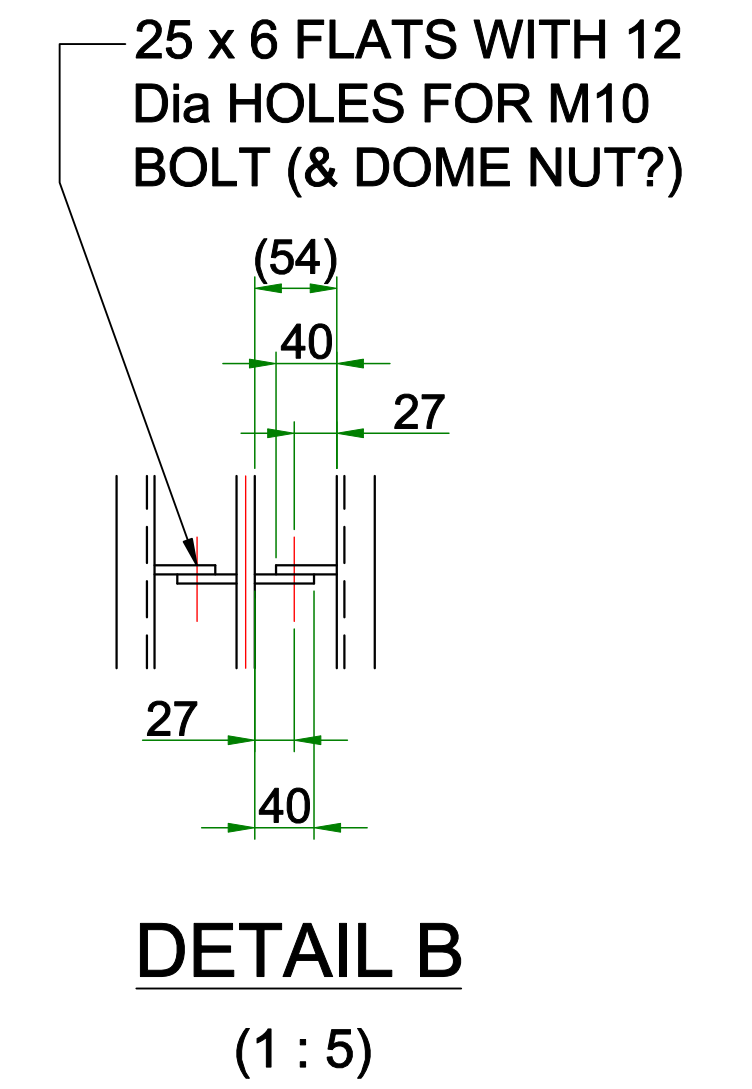


6 No
NORTH ELEVATION (EXTERNAL)
SEE ALSO DRG. 4962 - 104 - A FOR 'WIDE' BALCONY

3 No
NORTH ELEVATION (COURTYARD SIDE)



Rev	Amendments	Date	Scale
B	3 No BALCONIES ADDED FOR COURTYARD SIDE	18.03.11	1 : 10
A	ANGLE SIZE FOR IN-FILL PANEL FRAMES INCREASED TO 30 x 30 x 6	21.02.11	1 : 10
Drn.	MC	Date FEB 11	Scales
Chkd.		Date	1 : 10
Client: A C UNION LTD			
Project: 67 - 83 SEVEN SISTERS ROAD, LONDON N7			
METALCRAFT <i>Tottenham Limited</i> 6 - 40 DURNFORD STREET SEVEN SISTERS ROAD LONDON N15 5NQ Tel: 020 8802 1715 Fax: 020 8802 1258 E Mail: sales@makingmetalwork.com			
Drawing Title: G.A. & DETAILS OF CANTILEVERED BALCONIES NORTH ELEVATION (BOTH SIDES)			
Drawing No.	4962 - 105	Rev.	B