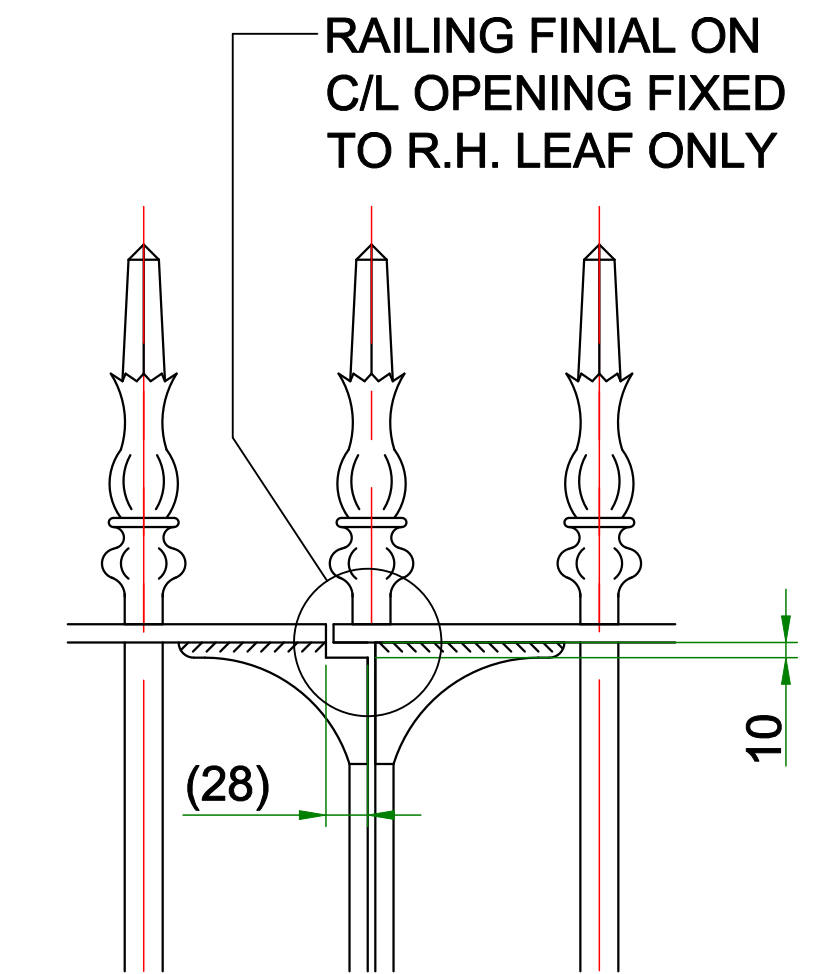
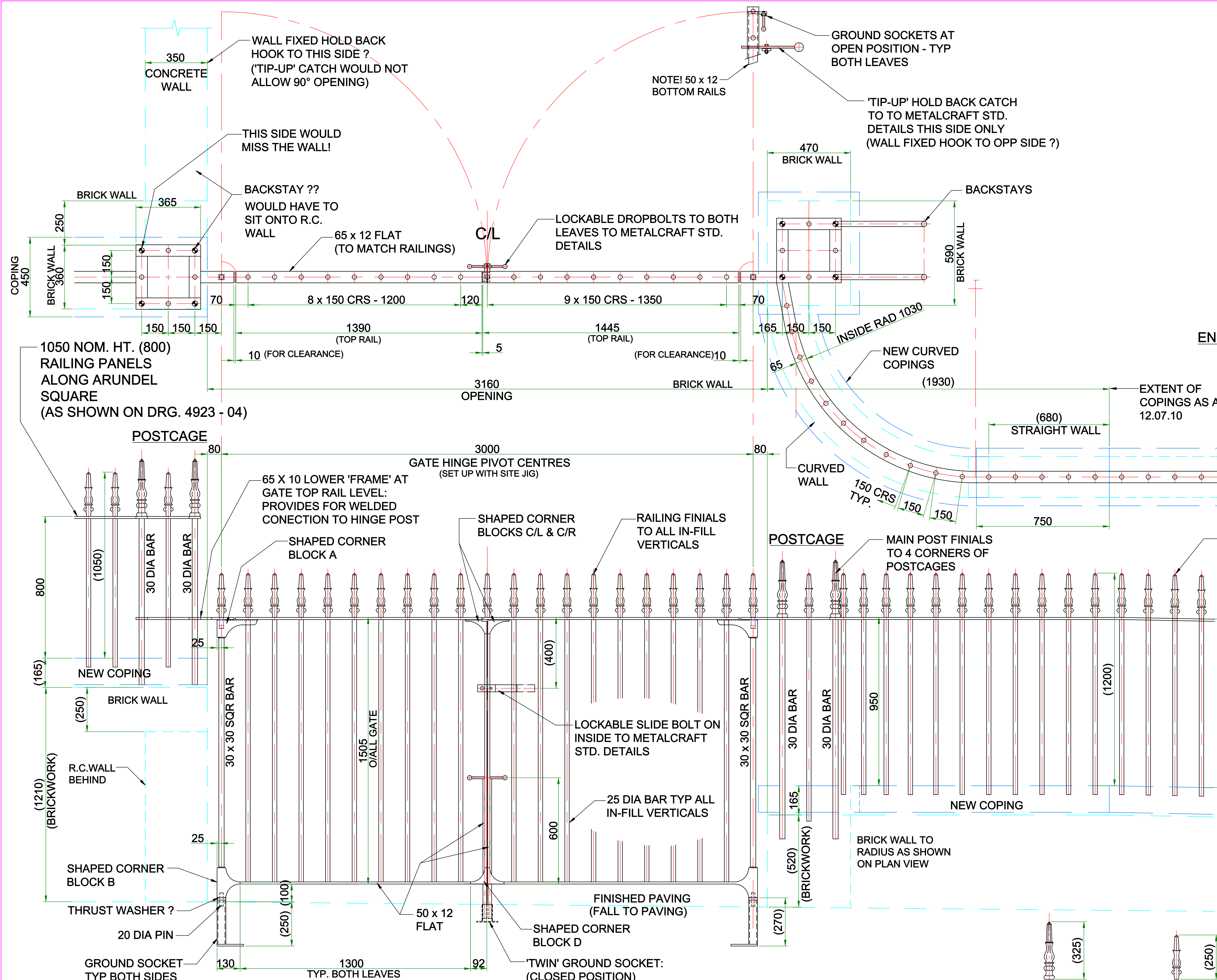


NOTES:

- 1) GATE DETAILS BASED UPON 'REMAPP' DRAWINGS AS 100 - K 2.03 & K2.10
- 2) FOR DETAILS OF SHAPED CORNER BLOCKS SEE DRG. 4923 - SK 02



ENLARGEMENT AT TOP CENTRE (1 : 5)

GATES ON ARUNDEL PLACE

MAIN POST FINIAL RAILING FINIAL

Rev	Amendments	Date	Sig.
Drn. MC	Date JULY 10	Scales	
Chkd.	Date	1 : 10	
Client: ENGLISH LANDSCAPES			
Project: ARUNDEL SQUARE, LONDON N7			
METALCRAFT <i>Tottenham Limited</i> 6 - 40 DURNFORD STREET SEVEN SISTERS ROAD LONDON N15 5NQ Tel: 020 8802 1715 Fax: 020 8802 1258 E Mail: sales@makingmetalwork.com			
Drawing Title: DETAILS OF GATES TO 'ENTRANCE 3'			
Drawing No. 4923 - 09	Rev.		