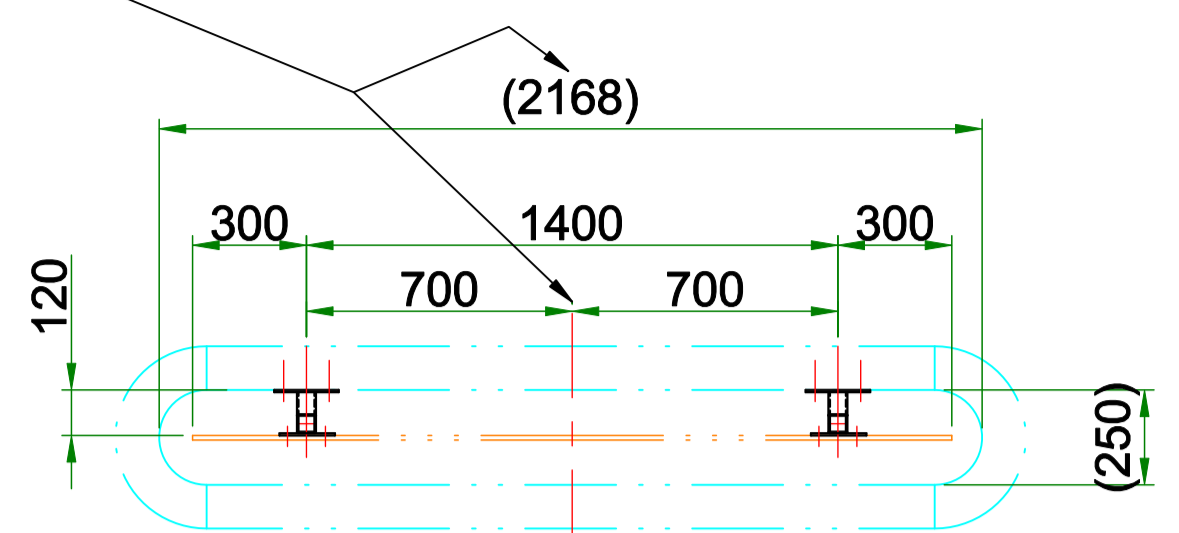
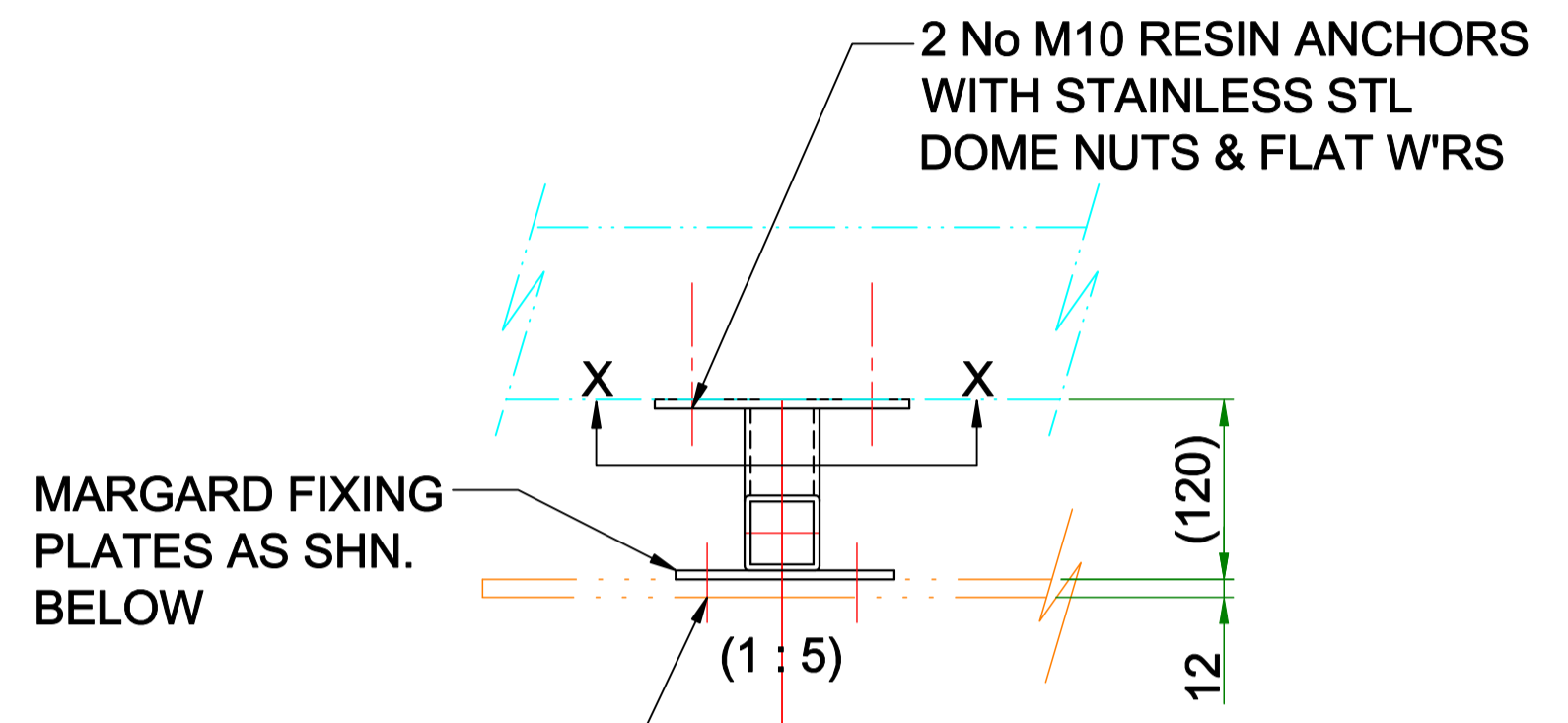


**NOTES:**  
 1) RHS POSTS POLYESTER POWDER COATED 'LOW SHEEN' WHITE

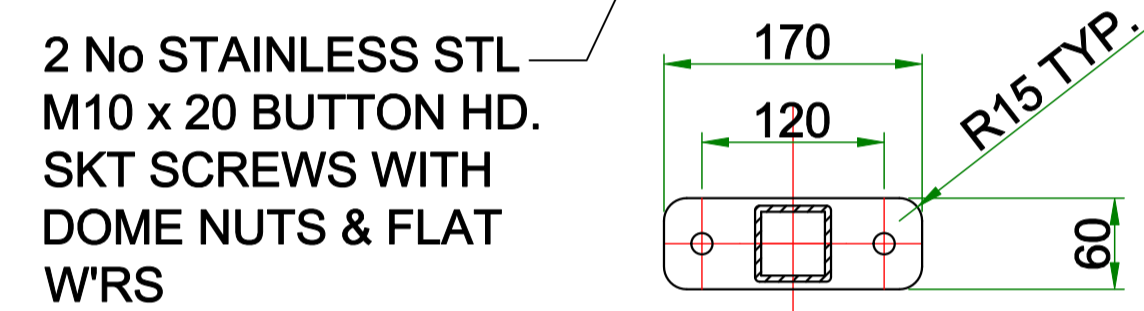
**SITE INSTALLATION NOTE:**  
 POST POSITIONS TO BE CENTRED ON STAIRWELL OPENING



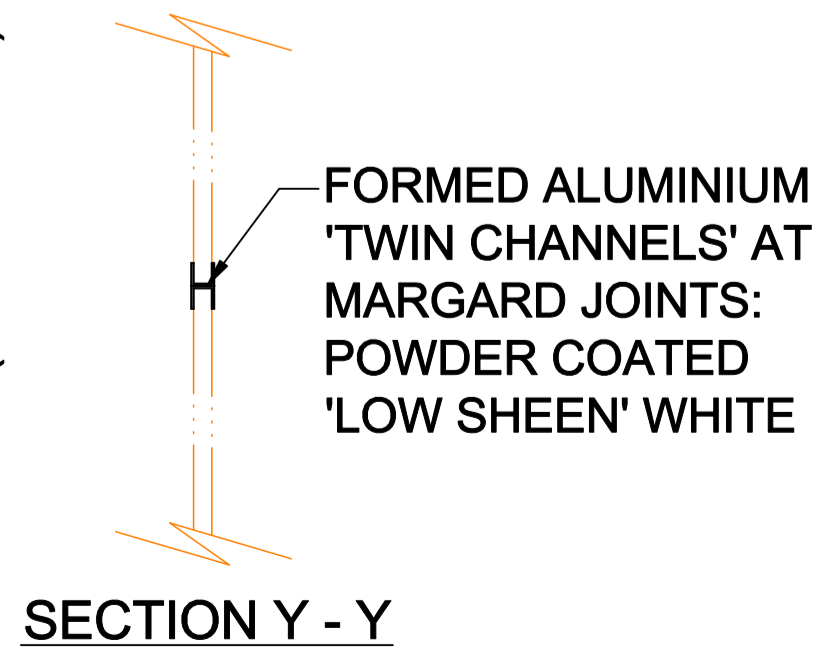
**PLAN SECTION AS A - A**  
(TYPICAL)



**TYP. WALL FIXING BRKT**  
(SECTION X - X)  
(1 : 5)



**TYP. 'MARGARD' FIXING PLATE**  
(1 : 5)



**SECTION Y - Y**

A	MAIN UPRIGHTS MOVED INBOARD BY 100mm TO PROVIDE MORE SUITABLE FIXING POINTS		12.04.10
	Rev	Amendments	Date
Drn.	MC	Date	Scales
Chkd.		Date	1 : 20
Client	CONSTRUCTION & SHOPFITTING LTD		
Project	MAPOTHER HOUSE, MAUDSLEY HOSPITAL		
<b>SIMCROSS WELDING SERVICES LTD.</b>			
<small>THE MAINTENANCE DEPOT, FURTHERFIELD, OFF SOUTH WAY ABBOTS LANGLEY HERTS. WD5 0PL Tel: 01923 264415 Fax: 01923 267536</small>			
Drawing Title	GEN. ARRGT OF SAFETY SCREEN TO MAIN STAIRCASE		
Drawing No.	J1184 - 101	Rev.	A

BUT SEE NOTE ON PLAN SECTION ABOVE!!

**SITE INSTALLATION NOTE:**  
 POSITION 'U' SIDE OF LOWER 'MARGARD' SHEET TO THIS (150) DIM'N.

SOLID IN-FILL

150

(115)

(2163)

(33.5°)

(645)

(620)

(115)

(2168)

(33°)

(710)

(690)

(520)

(115)

(2000)

(33°)

(710)

(520)

(115)

(640)

(900)

(260)

(3114)

(940)

(2457)

(1718)

(585)

(300)

(1400)

(2000)

(33°)

(100)

(300)

(1400)

(1650)

(100)

(50)

(1395)

(1800)

(555)

(120)

(2000)