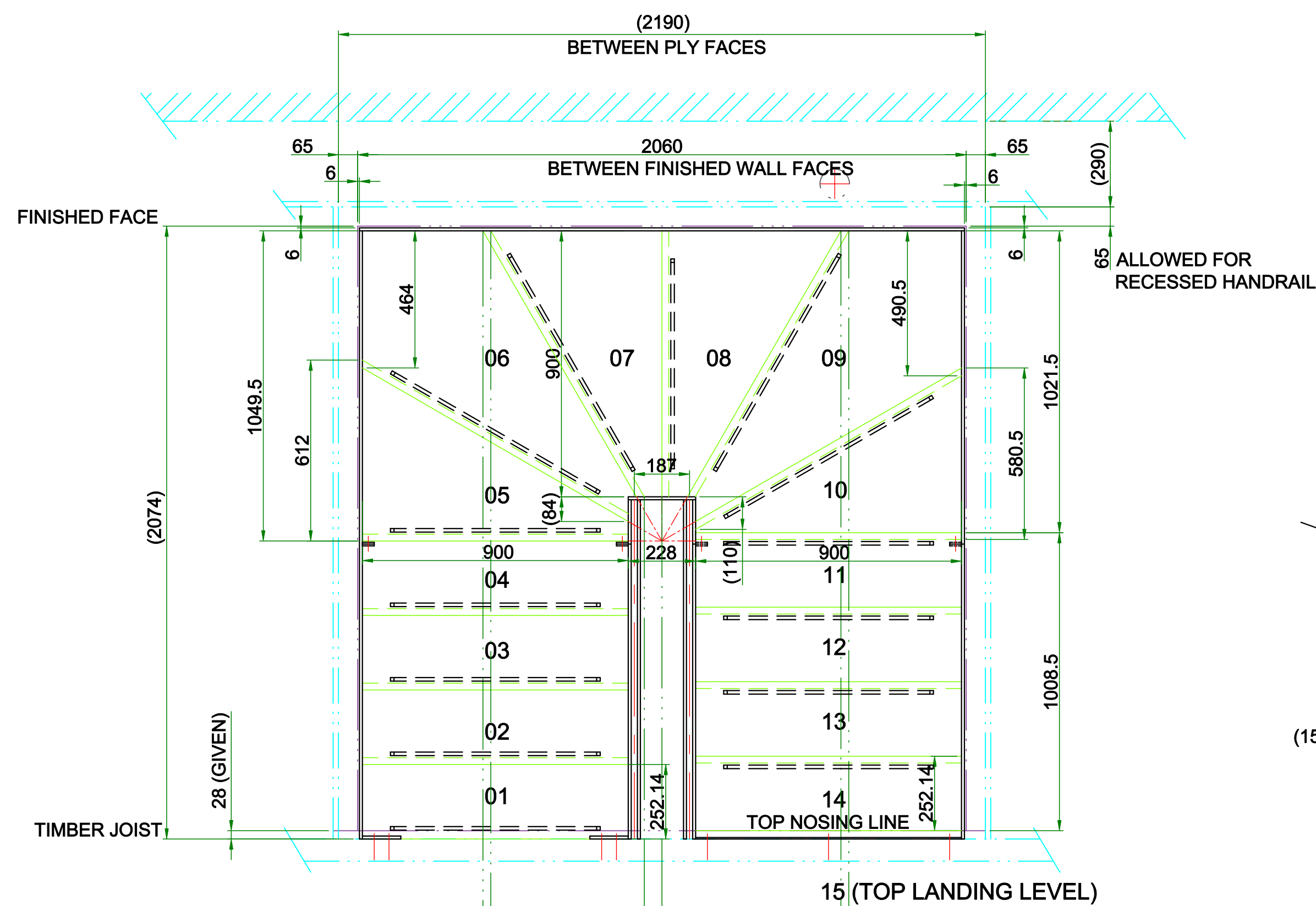
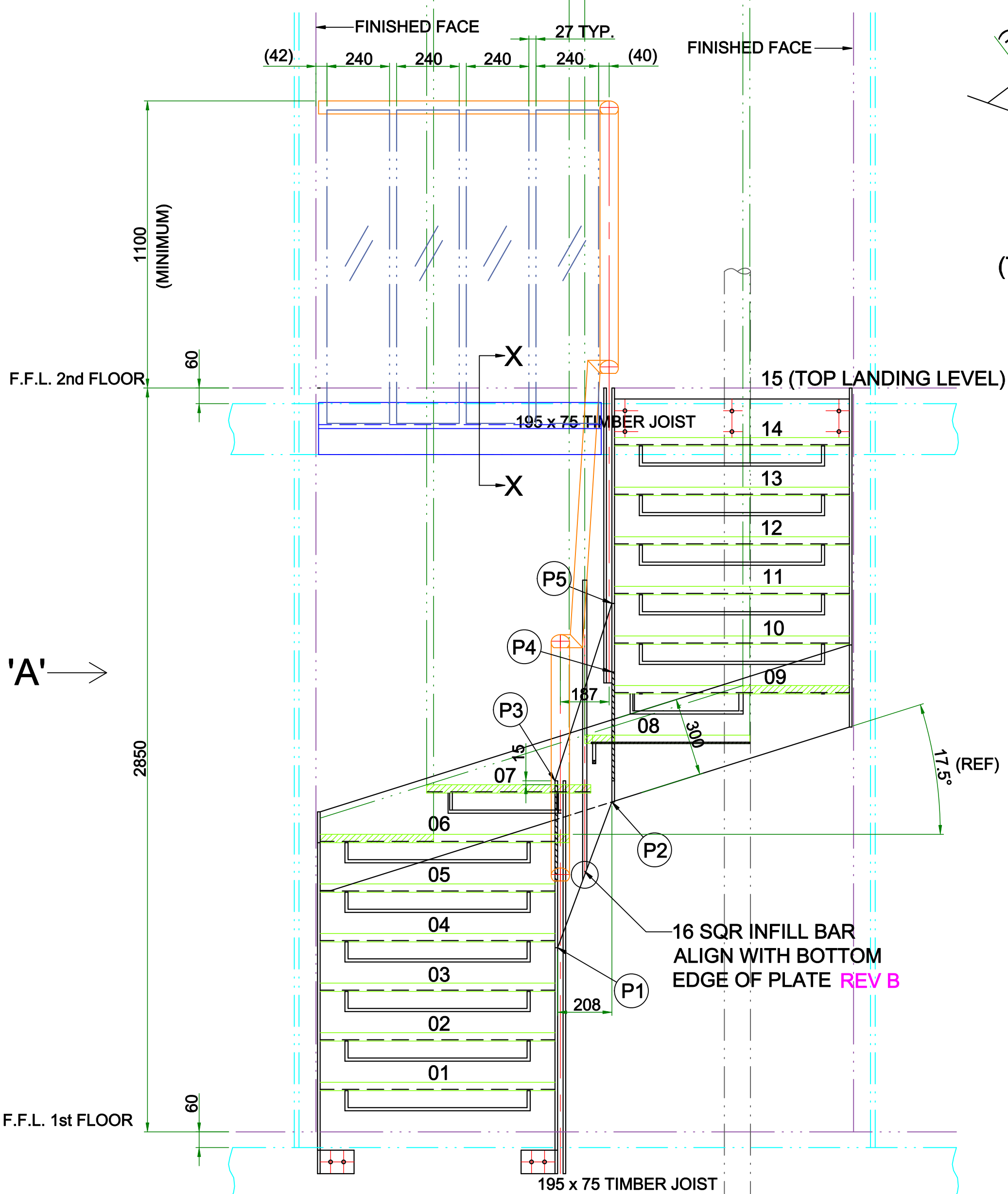


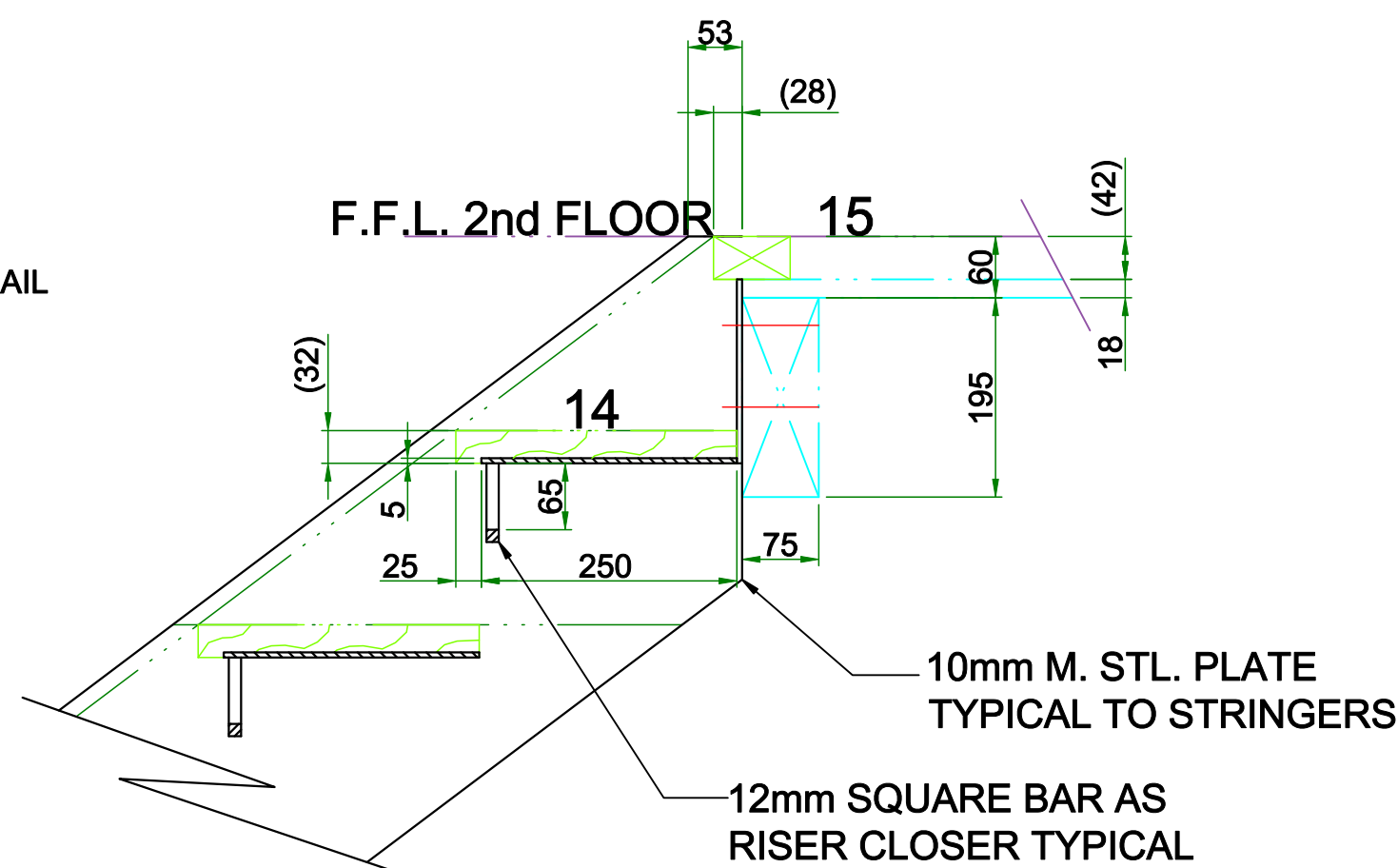
SITE & 'GIVEN' DIMENSIONS (BRACKETED)



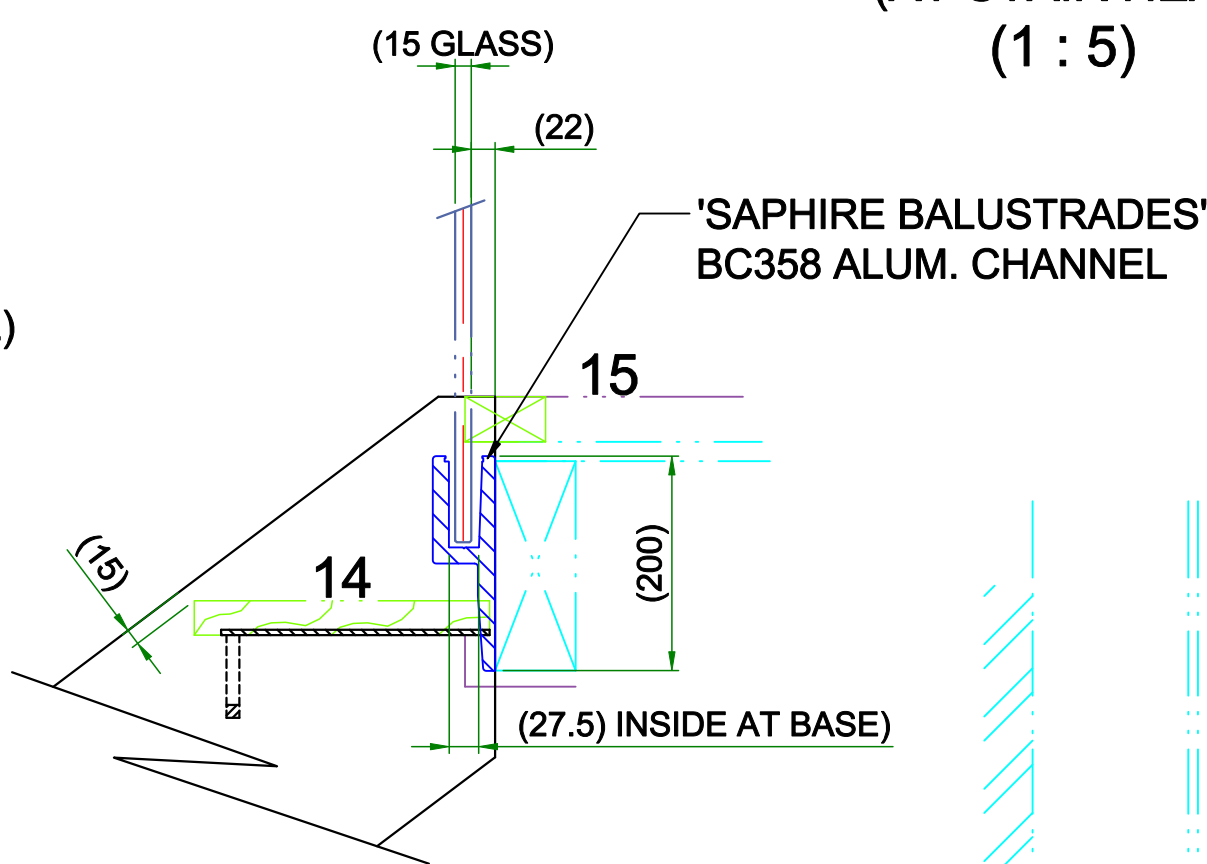
PLAN VIEW



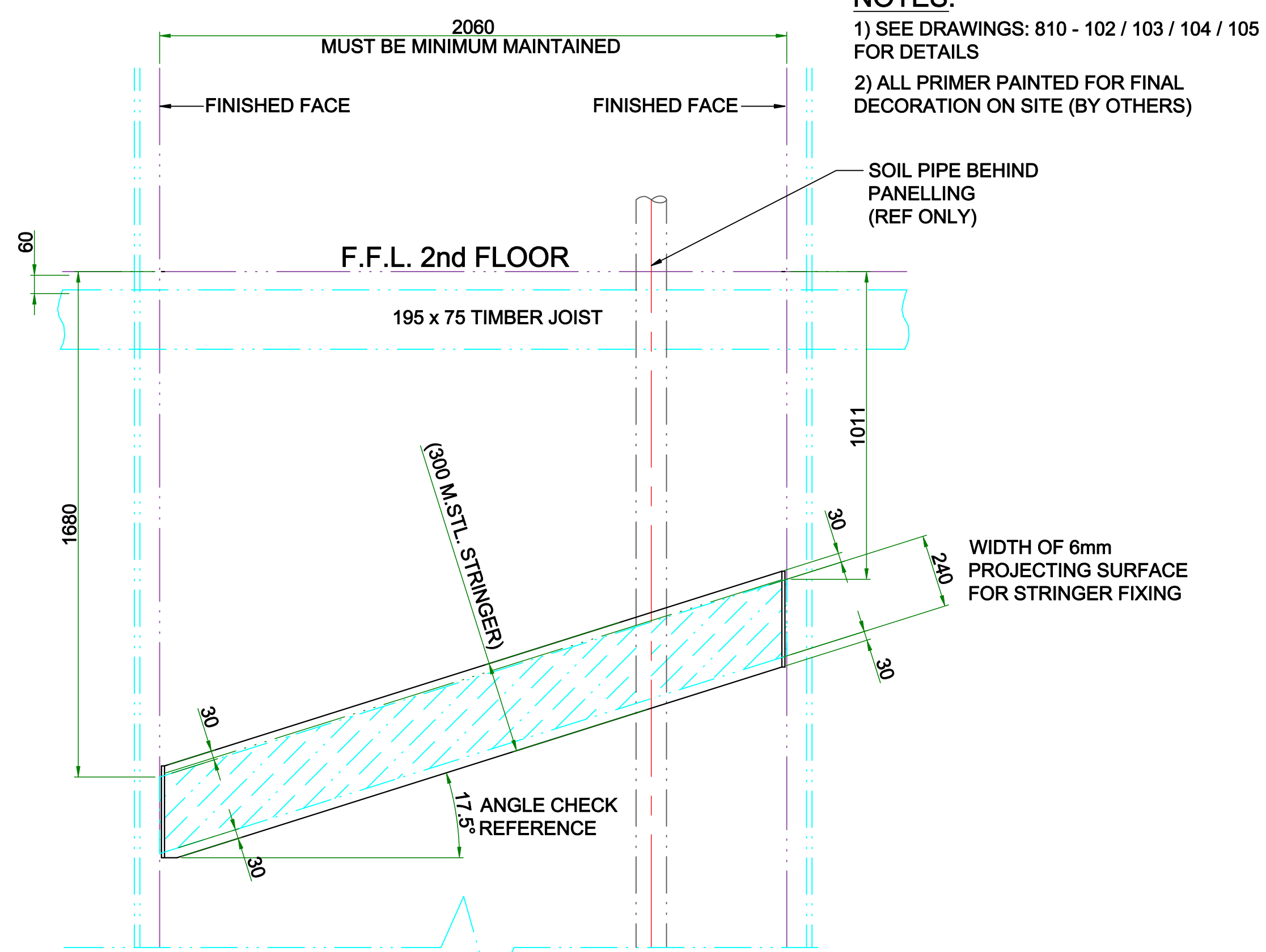
FRONT ELEVATION



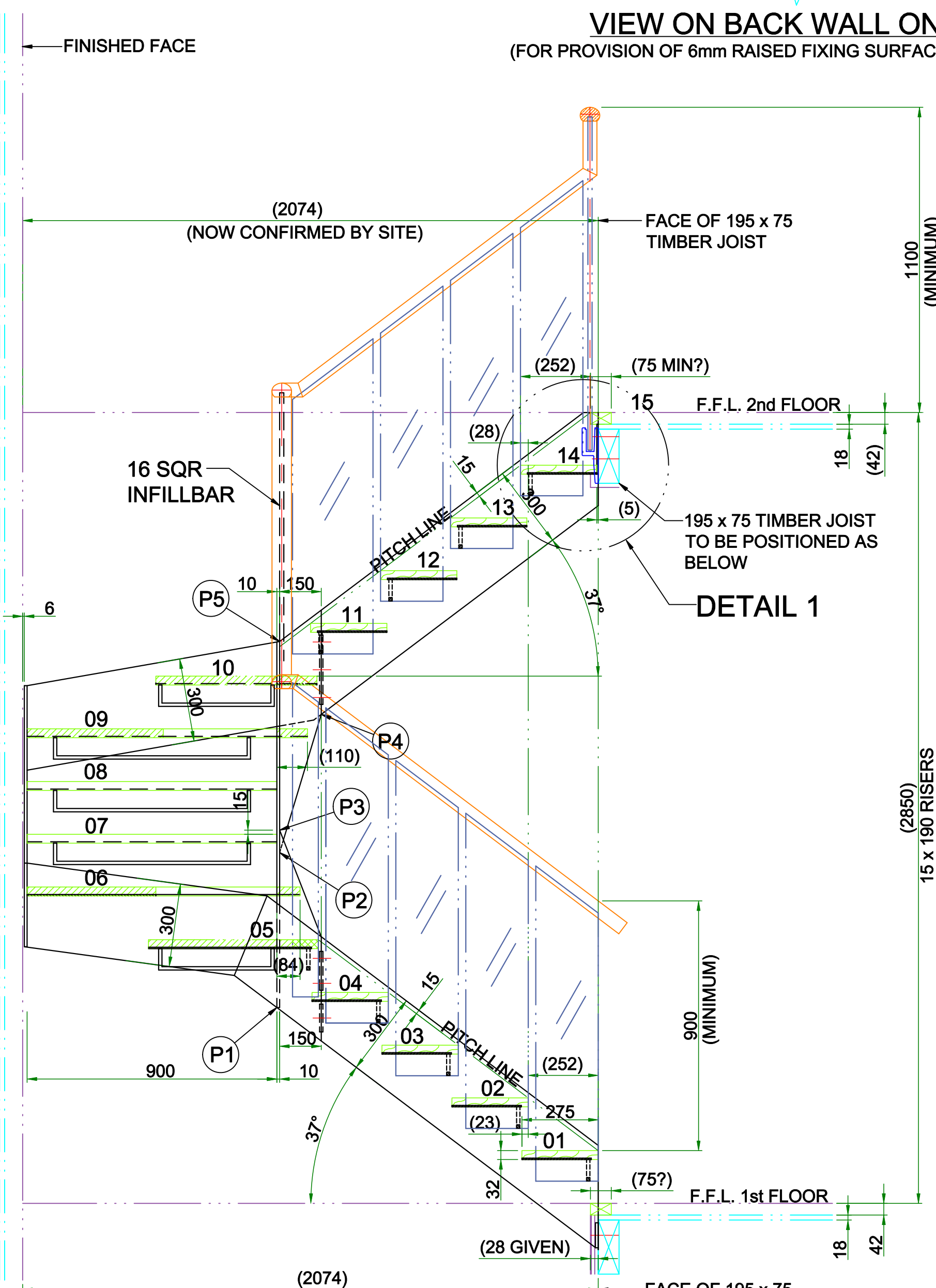
DETAIL 1 (AT STAIR HEAD) (1 : 5)



SECTION X - X (THROUGH TOP LANDING) (1 : 5)



VIEW ON BACK WALL ONLY (FOR PROVISION OF 6mm RAISED FIXING SURFACE AS AGREED)



VIEW ON 'A'

- NOTES:**
1) SEE DRAWINGS: 810 - 102 / 103 / 104 / 105 FOR DETAILS
2) ALL PRIMER PAINTED FOR FINAL DECORATION ON SITE (BY OTHERS)

NOTE TO MAIN CONTRACTOR!
TEMPORARY TREADS MUST BE FITTED TO THE TREAD SUPPORT PLATES UPON INSTALLATION IF THE STAIRCASE IS TO BE USED BEFORE FITTING OF THE FINISHED HARDWOOD TREADS
REV B

| | | | |
|---|---|---------------------|----|
| Rev | Amendments | Date | By |
| B | REVISED FOLLOWING ARCHITECT'S COMMENTS - 03.07.12 | 04.07.12 | MC |
| A | REVISED FOLLOWING ARCHITECT'S COMMENTS ON PRELIM. ISSUE | 28.06.12 | MC |
| Chkd. | Date | Scale | |
| MC | JUNE 12 | 1 : 10 & 1 : 5 @ A0 | |
| Client: HOWARD De WALDEN ESTATES | | | |
| Project: 8 WIMPOLE MEWS, LONDON W1G 8PE | | | |
| Whistler's Limited Artisan House, Market Way, Wembley, HA0 2BT. Tel: 07790 330 529 | | | |
| Drawing Title: G. ARRANGEMENT OF 1st - 2nd FLOOR STAIRCASE | | | |
| Drawing No. 810 - 101 | | Rev. B | |